

INSTALLATION AND OPERATING INSTRUCTIONS

IBOTECH

**Sprayer hand-operated
primer sprayer for road
marking tapes**



IBOTECH
VERKEHRSSICHERUNG & FAHRBAHNMARKIERUNG

March 2020 | Version 1.0



Copyright © 2019 IBOTECH

All rights reserved. No part of this publication may be reproduced, distributed, or transmitted in any form or by any means, including by photocopy, recording, or any other electronic or mechanical procedures without the advance written consent of the issuer. Questions of approval must be directed to the issuer in writing under the address below, with the addition "attn. approval coordinator".

IBOTECH GmbH & Co. KG

4. Industriestraße 16
D-68766 Hockenheim
Germany

www.ibotech.eu

Phone: +49 (0)6205 / 28 67 210

Fax: +49 (0)6205 / 28 67 229

Email: info@ibotech.eu

DISCLAIMER

IBOTECH makes no representations and gives no guarantees concerning this manual and explicitly limits its liability, as far as this is permitted by law, to the violation of any warranty resulting from replacement of this manual by any other. Beyond this, IBOTECH reserves the right to revise this document at any time and without notice.

The information provided in this document comprises descriptions and/or technical features concerning the performance of the products described. This documentation must not be used as proper evaluation of the suitability or reliability of the products for a specific use by a user and must not be used to replace such an assessment. Every such user or installer shall be responsible for performing an appropriate and complete risk assessment, evaluation, and inspection of the products concerning their respective specific use. Neither IBOTECH nor its partners or subsidiaries can be held responsible or liable for any abuse of the information contained in this document. Please inform us if you have any suggestions for improvement or supplementation, or if you have found any mistakes in this publication.

Installation and use of this product requires observation of all relevant state, regional, and local safety provisions at all times. For reasons of safety and to ensure compliance with the document system data, only the manufacturer shall have the right to repair any components.

Products for applications subject to safety-technical requirements must be used under observation of the corresponding notes.

Non-observation of such information may cause injury or damage.

1.	Preface	7
	1.1 User Description	7
	1.2 Standards Used in this Manual	7
	1.3 Explanation of the Final Notes	8
	1.4 Storage Notes	8
	1.5 Procurement of Documents and Information	9
2.	Product Description	10
	2.1 Intended Use and Reasonably Foreseeable Misuses	10
	2.2 Technical Data	10
	2.3 Product Components and Spare Parts	11
3.	Safety Notes	12
	3.1 Safe Handling of the Product	12
	3.1.1 Product Thresholds and Limitations	12
	3.1.2 Safety Information for Use	12
	3.1.3 Safety Information for Maintenance	13
	3.1.4 Repair	14
4.	Preparation	15
	4.1 Transport of the IBOTECH Sprayer	15
	4.2 Storage of the IBOTECH Sprayer	15
	4.3 Disposal of the Transport and Packaging Elements	15
	4.4 Review of the Scope of Delivery	15
	4.5 Inserting the Canister for Adhesive	16
	4.6 Positioning the Spray Arm	17

5.	Operation	18
6.	Inspection, Maintenance and Cleaning	21
6.1	Technical Support	21
6.2	Maintenance and Inspection Plan	21
6.2.1	Inspection before any Use	22
6.2.2	Maintenance after any Use	22
6.3	Cleaning the IBOTECH Sprayer	23
7.	Troubleshooting	24
8.	Warranty	25
9.	Disposal	26
9.1	Disposal of the Product Components	26
9.2	Disposal of the Packaging	26
ANNEX I – SPARE PARTS		27

PRODUCT CHANGES

YEAR	TYPE	CHANGES

DOCUMENT REVISIONS

DATE	TYPE	CHANGES
9th March 2020	1.0	First draft

APPROVALS

This document requires the following approvals:

NAME	TITLE

1. PREFACE

1.1 USER DESCRIPTION

This document is intended for the end users of the IBOTECH Sprayer hand-operated primer sprayer for road marking tapes, hereinafter called IBOTECH Sprayer.

An end user is any person who interacts directly with the product. The term "end user" usually comprises, among other things:

- Operators/road workers
- Maintenance staff or technicians

The product must only be used by authorised and properly qualified, experienced persons aged at least 18 years:

- who have read and understood these operating instructions.
- who are familiar with operation of this or a similar device.
- who know how to control this product.
- who are aware of all possible dangers and who act accordingly.
- who are trained and authorised to work near traffic areas.

1.2 STANDARDS USED IN THIS MANUAL

The following writing styles are used in this document:

Bold

Designation of product parts

Italics

Publication titles listed in the text

1.3 EXPLANATION OF THE FINAL NOTES

VORSICHT

"Caution" indicates a danger that may lead to light to medium injury if not avoided.

HINWEIS

Marks information that is important but not connected to potentially dangerous situations.

1.4 STORAGE NOTES

Ensure that you have read and understood the entire instructions and all safety notes before using this product. Non-observation of these notes may cause light to severe injuries.

Observe all instructions. This avoids accidents that may cause property damage or light to medium injuries.

Keep all safety information and instructions for later reference and pass them on to later users of the product.

The manufacturer shall not be liable for any property damage or injury caused by incorrect handling or non-compliance with the safety notes. In such cases, the warranty shall expire.

1.5 PROCUREMENT OF DOCUMENTS AND INFORMATION

A current version of the documentation is available on the following website:

www.ibotech.eu

Documentation, user instructions and technical information can be requested by phone from IBOTECH under +49 (0)6205 / 28 67 210.

If you read an IBOTECH product documentation online, you can submit comments via the support website. Comments can also be submitted to info@ibotech.eu by email.

We are happy to receive your feedback.

For information on special tools and materials, as well as for any service-specific questions, please contact:

IBOTECH GmbH & Co. KG

4. Industriestraße 16
D-68766 Hockenheim
Germany

www.ibotech.eu

Phone: +49 (0)6205 / 28 67 210

Fax: +49 (0)6205 / 28 67 229

Email: info@ibotech.eu

2. PRODUCT DESCRIPTION

2.1 INTENDED USE AND REASONABLY FORESEEABLE MISUSES

The IBOTECH Sprayer is intended as a product for the application of adhesives for the laying of road marking tapes on the road.

The IBOTECH Sprayer must not be used in the following cases:

- As a device for moving objects or people;
- On uneven roads such as pebble or field paths.

The IBOTECH Sprayer is NOT intended for indoor use. Always use the IBOTECH Sprayer outdoors.

The IBOTECH Sprayer must only be used with genuine accessories and components.

Any other use than the one described in the operating instructions is deemed non-intended use.

2.2 TECHNICAL DATA

PARAMETER	UNIT
Product designation	IBOTECH hand-operated primer sprayer for road marking tapes
Designation	IBOTECH Sprayer
Product service life	5 years
Product weight	23 kg
Product dimensions	655 x 330 x 900 mm
Lubricants	WD-40 spray

2.3 PRODUCT COMPONENTS AND SPARE PARTS

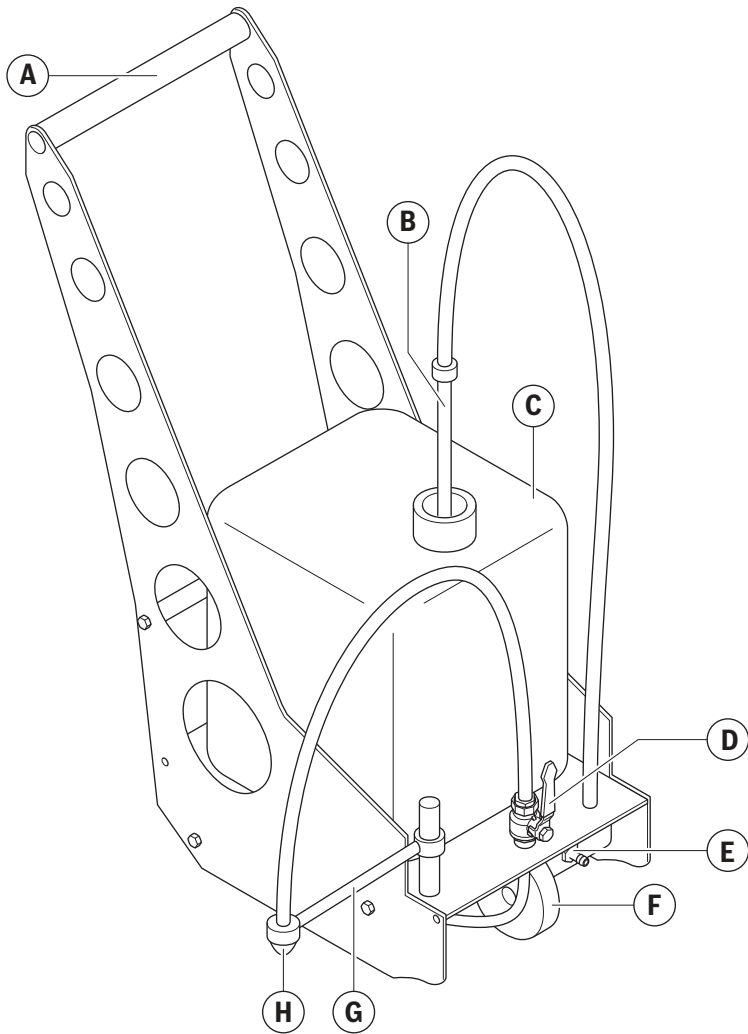


Fig. 1: Main parts of the product

- | | | | |
|----|-------------|----|--------------|
| A. | Handle | E. | Pump |
| B. | Suction rod | F. | Gear |
| C. | Canister | G. | Spray arm |
| D. | Stopcock | H. | Spray nozzle |

3. SAFETY NOTES

VORSICHT

This product has been developed for secure operation. The manner of operation means that there may be dangers when using the product. Familiarise yourself with the present operating instructions before you use this product. Non-observation of these notes may cause light to severe injuries.

3.1 SAFE HANDLING OF THE PRODUCT

3.1.1 Product Thresholds and Limitations

- Only use this product for road construction work under the conditions listed in this document.
- Refer to the Material Safety Data Sheet (MSDS) of the adhesive/primer to be used.

3.1.2 Safety Information for Use

- Follow the instructions in this manual (see *OPERATION*).
- The product must be used by properly qualified and trained staff, under observation of the applicable rules and provisions. The road construction operation is responsible for the employment of experienced and qualified specialists.
- Ensure that there are no injuries. Always wear protective goggles and a dust mask.
- Wear suitable personal protection equipment, such as gloves, safety shoes (at least category S3), hearing protection and a protective suit.
- The IBOTECH Sprayer should only be used by one person. When using the product, make sure that other people observe a safety distance.

- It should only be used for suitable and appropriate road marking tape.
- Collect appropriate information about the national and regional laws for work on roads and near traffic areas.
- Always be attentive and careful in what you do. Do not use the IBOTECH Sprayer if you are lacking focus or attention, or if you are subject to the influence of drugs, alcohol, or medication. Even a brief moment of inattentiveness may lead to severe accidents and injury when using the product.
- The IBOTECH Sprayer contains movable parts! Always keep a safety distance to avoid accidents by becoming trapped.
- The IBOTECH Sprayer is not intended as a device for moving objects. Do not stand on the machine!
- If there is an accident, cease use of the product immediately and involve a doctor if applicable.

3.1.3 Safety Information for Maintenance

- All cleaning and maintenance work must only be performed by qualified staff. In order to ensure operational safety of the product, it should be serviced at regular intervals by qualified staff in compliance with the manufacturer's instructions. Follow the instructions in this manual (see *INSPECTION, MAINTENANCE AND CLEANING*).
- Maintenance and inspection should be performed at regular intervals.
- Use only genuine accessories and genuine spare parts (see *Product Components and Spare Parts*).

3.1.4 Repair

- Never open or repair the IBOTECH Sprayer on your own in a way other than described in this operating manual. This voids the warranty. Other repairs than those described in these operating instructions must only be performed by the manufacturer.
- Use only genuine accessories and genuine spare parts.
- Changes and technical modifications of the IBOTECH Sprayer are not permitted.

4. PREPARATION

4.1 TRANSPORT OF THE IBOTECH SPRAYER

- Transport the product on a vehicle in the upright position on a Euro pallet and with all the common safety measures.
- Always ensure that the IBOTECH Sprayer is fastened during transport to avoid sudden movements or instability.
- To move heavy loads, only approved lifting gear must be used. Always perform lifting work with more than one person, even if you use lifting gear. The maximum permissible load per person is 25 kg.

4.2 STORAGE OF THE IBOTECH SPRAYER

- Store the IBOTECH Sprayer in a dry, closed room and protected from moisture and rain.
- Keep the IBOTECH Sprayer in a safe place. Make sure that vehicles cannot hit the IBOTECH Sprayer in order to protect them from damage.

4.3 DISPOSAL OF THE TRANSPORT AND PACKAGING ELEMENTS

For disposal of the transport and packaging elements:

1. Remove all transport and packaging elements.
2. Dispose of all transport and packaging elements according to the instructions (see *DISPOSAL*).

4.4 REVIEW OF THE SCOPE OF DELIVERY

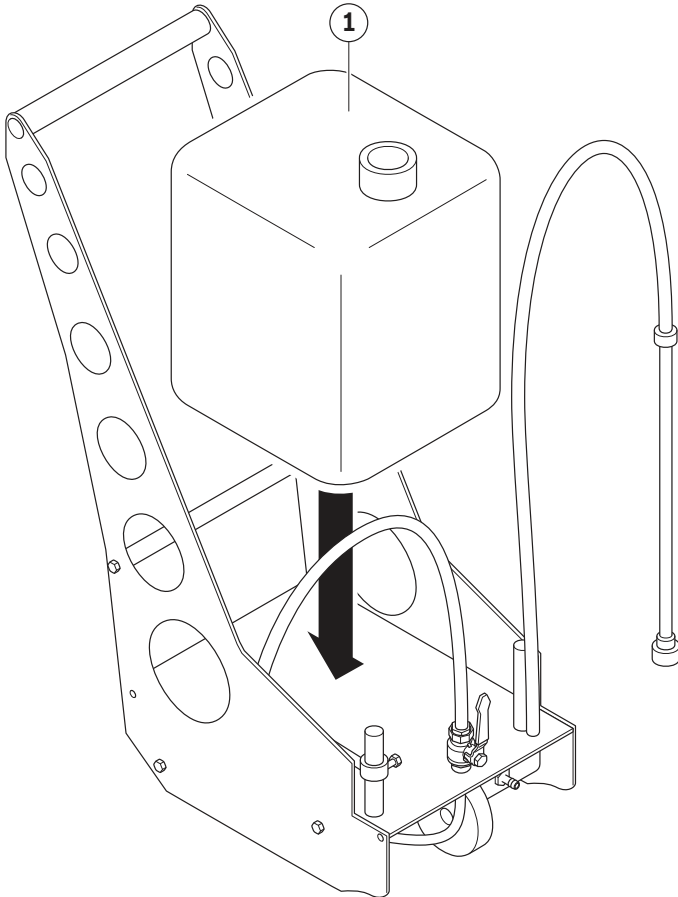
Check if the package contains the following parts:

- 1 IBOTECH Sprayer
- 1 operating instructions

4.5 INSERTING THE CANISTER FOR ADHESIVE

Inserting an adhesive canister:

1. Place the **IBOTECH Sprayer** on a level base.
2. Place the **canister** ① on the intended location. Please follow the manufacturer's instructions.



4.6 POSITIONING THE SPRAY ARM

The spray arm can be attached to the IBOTECH Sprayer on the left as well as on the right side to ensure safe working in road traffic. By adjusting the height of the spray arm you vary the width of the spraying area.

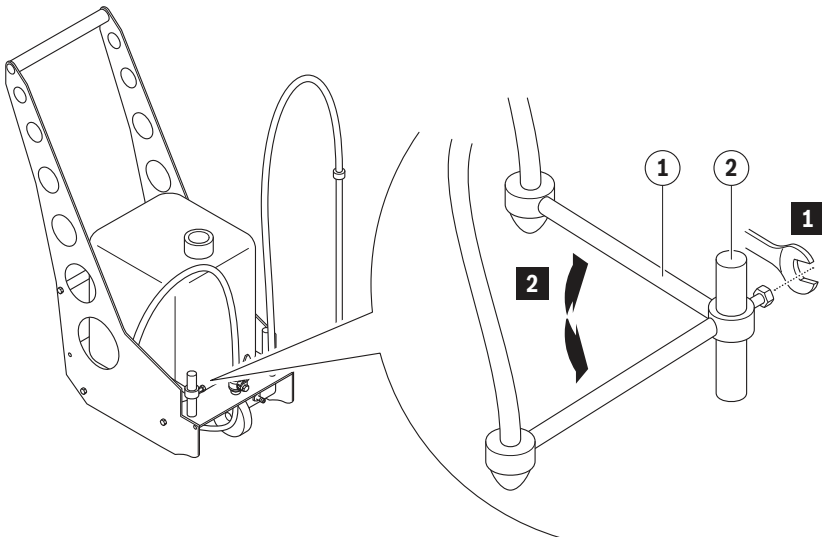
Tools needed:

- Size 13 wrench

Positioning the spray arm:

1. Place the **spray arm** ① on the **holder for the spray arm** ②.
2. Attach the **spray arm** ① by turning the screw with the size 13 wrench. By adjusting the height of the spray arm you vary the width of the spraying area.

NOTE The **spray arm** can be mounted both on the left or right side.



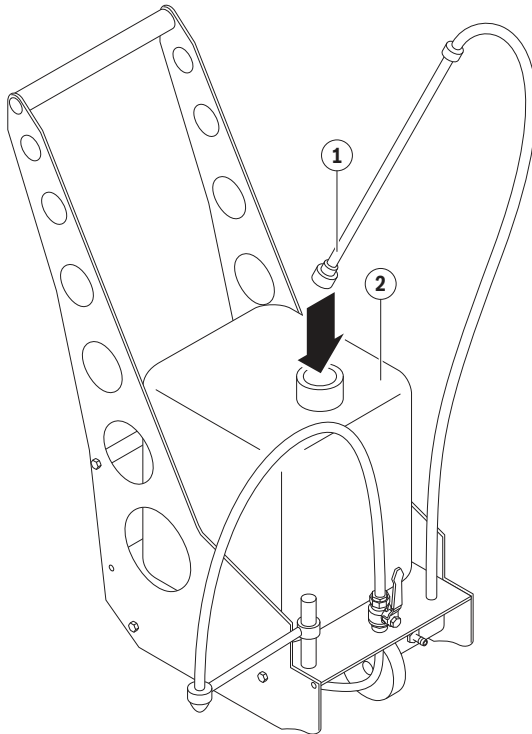
5. OPERATION

VORSICHT

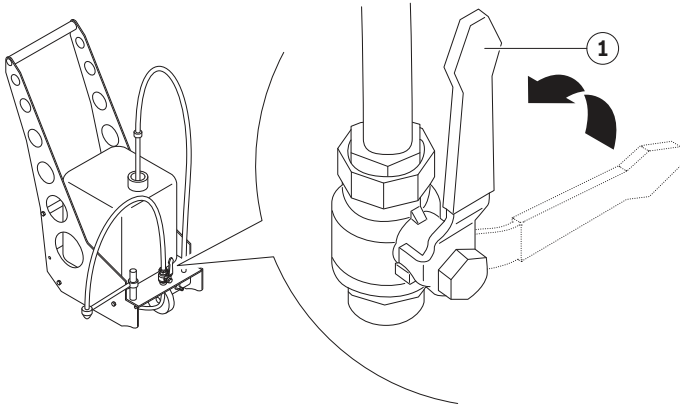
The IBOTECH Sprayer may only be used by one person. When using the product, make sure that other people observe a safety distance.

Using the IBOTECH Sprayer:

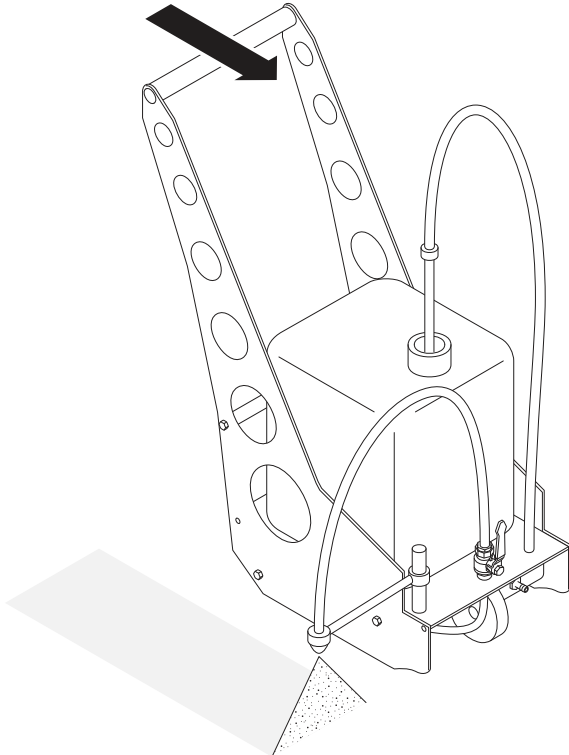
1. Make sure that the **IBOTECH Sprayer** stands on a horizontal surface.
2. Place the **IBOTECH Sprayer** on the road where you want to apply the adhesive for road marking.
3. Insert the **suction rod** ① into the **canister** ②.



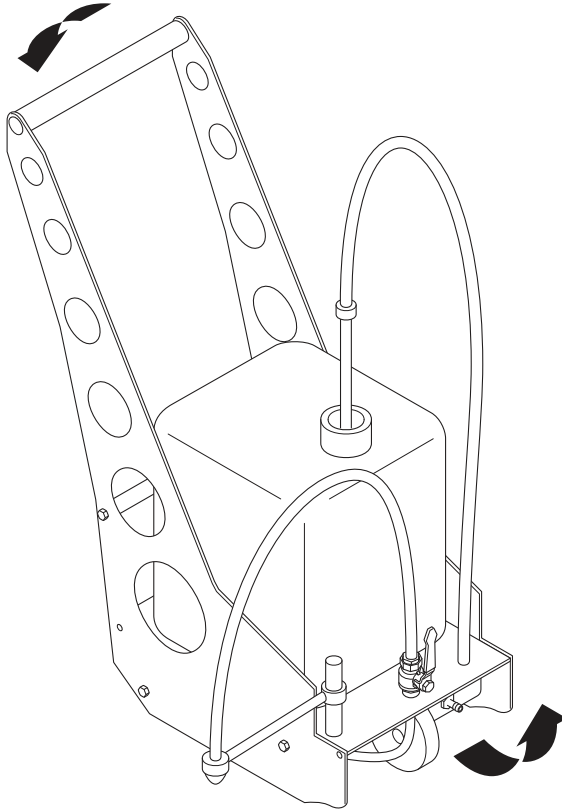
4. Open the **stopcock** ①.



5. Push the **IBOTECH Sprayer** forward evenly. After a short start-up phase, during which the **pump** sucks the adhesive, the **IBOTECH Sprayer** sprays adhesive onto the road surface.



6. Tilt the **IBOTECH sprayer** backwards to stop spraying.



6. INSPECTION, MAINTENANCE AND CLEANING

HINWEIS

- The IBOTECH Sprayer must only be serviced by qualified and trained staff.
- If the IBOTECH Sprayer has not been used for an extended period, it should be tilted and sprayed with WD-40 spray from below. This will loosen the rust and lubricate the parts.

6.1 TECHNICAL SUPPORT

For technical support or ordering of spare parts, contact:

IBOTECH GmbH & Co. KG

4. Industriestraße 16

D-68766 Hockenheim

Germany

www.ibotech.eu

Phone: +49 (0)6205 / 28 67 210

Fax: +49 (0)6205 / 28 67 229

Email: info@ibotech.eu

6.2 MAINTENANCE AND INSPECTION PLAN

Maintenance and inspection should be performed at regular intervals. Too-rare maintenance will shorten the operating time and service life of the product, increase the risks and cause the warranty to expire. Use only genuine accessories and genuine spare parts. A list of the spare parts can be found in the annex. You can order spare parts at any time by contacting the manufacturer.

6.2.1 Inspection before any Use

INSPECTION WORK	REQUIRED MEASURE
Make sure that the filter of the suction rod is not dirty.	Clean or replace the filter.
Make sure that the spray nozzle is not dirty.	Clean or replace the spray nozzle.
Check that all parts can move properly.	Tip the machine and spray it with WD-40 spray from below. This will loosen the rust and lubricate the parts.
Make sure that the IBOTECH Sprayer is clean.	Clean the IBOTECH Sprayer if necessary (see <i>Cleaning the IBOTECH Sprayer</i>).

6.2.2 Maintenance after any Use

MAINTENANCE WORK	REQUIRED MEASURE
Make sure that the IBOTECH Sprayer is clean.	<ol style="list-style-type: none">1. Remove dirt and asphalt.2. Clean the IBOTECH Sprayer (see <i>Cleaning the IBOTECH Sprayer</i>)

6.3 CLEANING THE IBOTECH SPRAYER

To extend the service life of the IBOTECH Sprayer, the product must be thoroughly cleaned with non-aggressive cleaning agent and water after every use. The suction rod, hoses and spray nozzle must be rinsed with a solvent for adhesives.

Cleaning of the IBOTECH sprayer:

1. Insert a canister with about 1 litre of solvent.
2. Operate the IBOTECH Sprayer (see *OPERATION*) until the canister is completely empty.
3. If necessary, clean the filter in the suction rod and the spray nozzle separately with solvent. **NOTE:** Do not use sharp objects to clean the filter.
4. Spray the IBOTECH Sprayer with cold tap water to remove the coarse dirt.
NOTE: The IBOTECH Sprayer must never be put under running water or in contact with water under high pressure. The force of the water may flush oil and grease from rotating or movable parts.
5. Then coat the machine in a neutral, non-aggressive cleaning agent (pH-value between 6 and 8).
6. Give the cleaning agent sufficient time to take effect. Observe the respective product information.
7. Clean the IBOTECH Sprayer thoroughly with WD-40 and air.

7. TROUBLESHOOTING

PROBLEM	CAUSE	SOLUTION
The machine does not spray adhesive.	The filter in the suction rod is clogged.	Clean or replace the filter.
The machine does not spray adhesive.	The spray nozzle is clogged.	Clean or replace the spray nozzle.
The machine does not spray adhesive.	The stopcock is closed.	Open the stopcock.
The machine does not spray adhesive in the set width.	The spray nozzle is partially clogged.	Clean or replace the spray nozzle.

8. WARRANTY

This warranty applies for 12 months from the time of delivery. The warranty is limited to the provision of spare parts. All shipping costs shall be at the expense of the product owner.

The defective product must be sent to the manufacturer within two weeks upon request. If there are any defective elements, the manufacturer will inspect the product on site.

The warranty will expire in the following cases:

- Normal wear
- External violence
- Improper maintenance
- Non-observation of these and the user instructions
- Improper and defective use
- Damage by frost
- Changes not performed or approved by the manufacturer

9. DISPOSAL

9.1 DISPOSAL OF THE PRODUCT COMPONENTS

Old or worn parts must be disposed of in the most environmentally compatible manner possible, e.g. by being taken to an approved recycling centre.

Familiarise yourself with the national and local provisions on environmentally compatible disposal of hazardous substances, such as oils and lubricants, parts and materials.

If certain chemicals are used for cleaning, they must be disposed of in an environmentally compatible way. This also includes rags and similar materials that are contaminated with lubricants or oil. Observe the chemicals instructions in order to get further information.

Correct disposal of the device will help you avoid potential risks to the environment and health that may be caused by improper disposal of old devices. Reuse of materials contributes to preservation of natural resources.

9.2 DISPOSAL OF THE PACKAGING

The packaging can be disposed of in our local recycling facilities. Proper disposal of packaging waste helps avoid potential risks for the environment and health.

ANNEX I – SPARE PARTS

PART	ITEM NUMBER
Spray nozzle	1-004-017
Filter	1-004-026
Pump	1-004-005
Gear	1-004-006



IBOTECH
VERKEHRSSICHERUNG & FAHRBAHNMARKIERUNG

IBOTECH GmbH & Co. KG | 4. Industriestraße 16 | D-68766 Hockenheim, Germany

Phone: +49 (0)6205 / 28 67 210 | Fax: +49 (0)6205 / 28 67 229 | Email: info@ibotech.eu | www.ibotech.eu